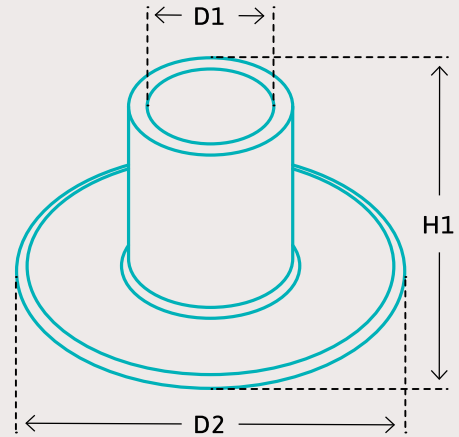


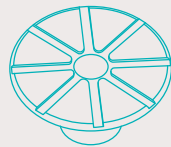
PRODUCT DATA SHEET

DISC CONNECTOR OUT

The disc connector Out is made from high-quality polyoxymethylene (POM) and has been specifically developed for use in vacuum and infusion processes. The flat disc surface provides a clean support for the vacuum film, ensuring reliable sealing. The central opening securely guides the hose, creating a stable connection within the process.



Grooves on the underside



- + Grooves on the underside of the disc for improved resin or air supply
- + Internal stop prevents the hose from being pushed through
- + Flat disc surface for optimal film support
- + Secure hose guidance through the central opening

Disc Connector Out

Item No.	Ø-Hose	PU	Material	D1	D2	H1
TVO-10-100 Soon	10 mm	100	POM	10,5 mm	43 mm	26 mm
TVO-12-100 Soon	12 mm	100	POM	12,5 mm	43 mm	26 mm
TVO-16-100 Soon	16 mm	100	POM	16,5 mm	52 mm	27 mm